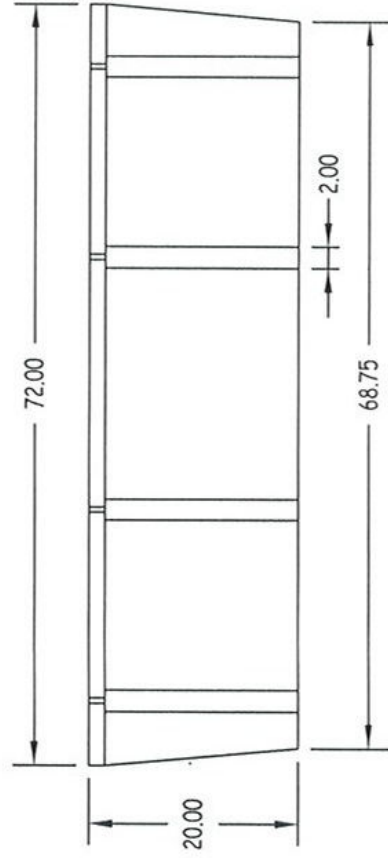
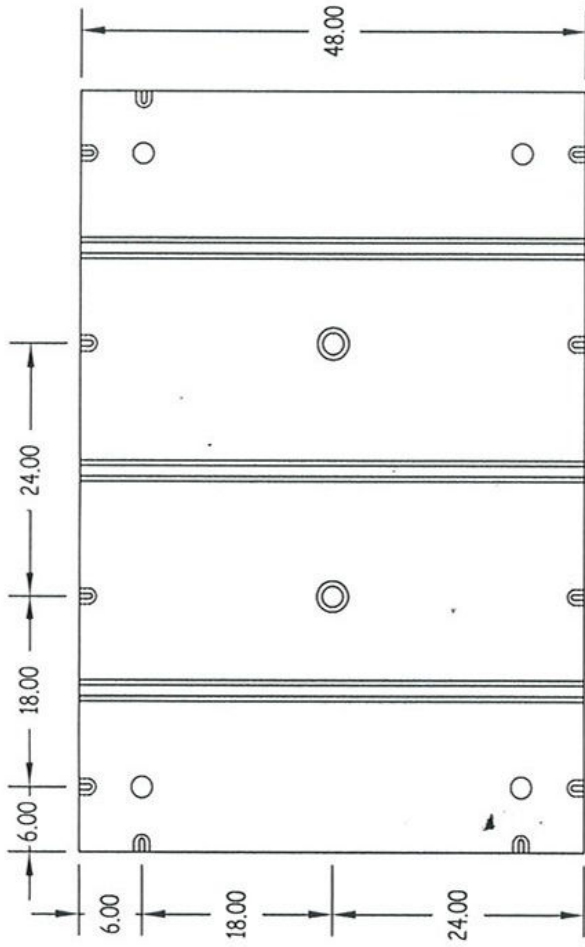


NOTES UNLESS OTHERWISE SPECIFIED

1. MATERIAL: LINEAR VIRGIN POLYETHYLENE
2. FILLING: 1-1.5 # DENSITY VIRGIN EPS BLOCK
3. WALL THICKNESS: .150
4. TOLERANCE ON OUTSIDE DIMENSIONS:  $\pm 3\%$  @ 68F



Also Available in a 4' <sup>5</sup>/<sub>8</sub>'  
Size